



Please keep this instruction sheet for future reference,
as it contains important information.

Requires three “AA” batteries (included) for operation.

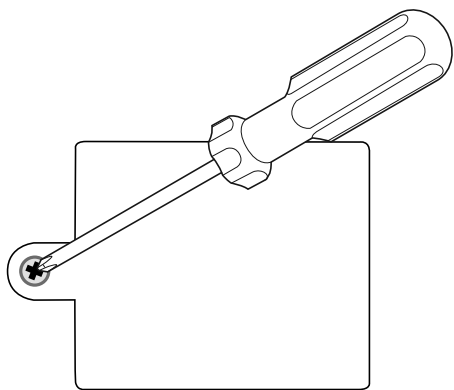
Adult assembly is required for battery replacement.

Tool required for battery replacement:
Phillips screwdriver (not included).

Before Use

Note: A plastic tab was attached to the toy for in-store demonstration purposes. While the tab may have already been removed, check the back of the toy to be sure. If the plastic tab is still attached, pull and remove the tab. Throw the plastic tab away.

Battery Replacement



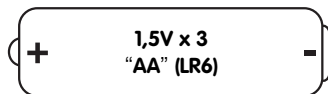
For best performance, we recommend replacing the batteries that came with this toy with three, new “AA” (LR6) alkaline batteries.

- Locate the battery compartment on the bottom of the toy.
- Loosen the screw in the battery compartment door with a Phillips screwdriver. Remove the battery compartment door.
- Insert three, new “AA” (LR6) **alkaline** batteries.

Hint: We recommend using **alkaline** batteries for longer battery life.

- Replace the battery compartment door and tighten the screw with a Phillips screwdriver. Do not over-tighten.
- If this toy begins to operate erratically, you may need to reset the electronics. Slide the power/mode switch off and then back on.
- When sounds or lights from this toy become faint or stop, it's time for an adult to change the batteries!

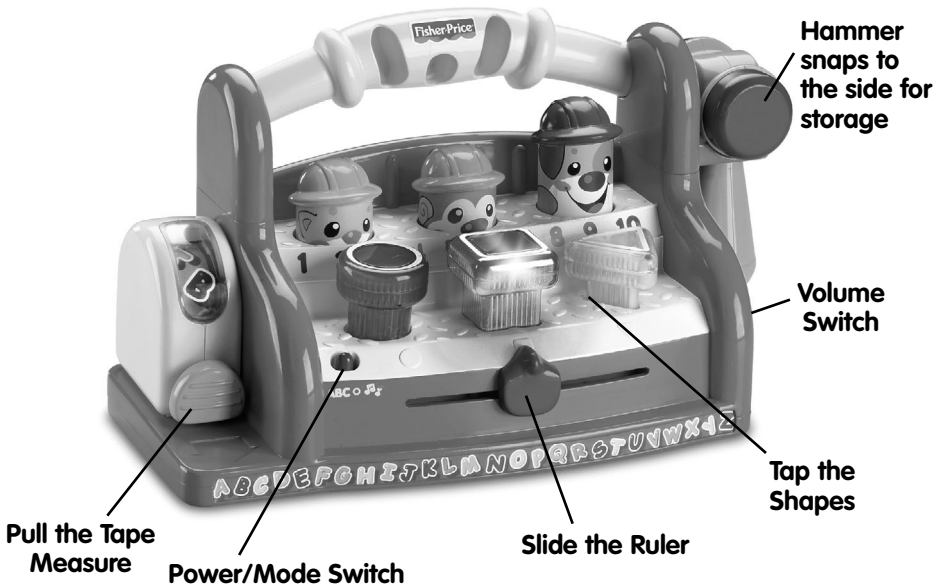
Battery Safety Information



In exceptional circumstances, batteries may leak fluids that can cause a chemical burn injury or ruin your product. To avoid battery leakage:

- Do not mix old and new batteries or batteries of different types: alkaline, standard (carbon-zinc) or rechargeable (nickel-cadmium).
- Insert batteries as indicated inside the battery compartment.
- Remove batteries during long periods of non-use. Always remove exhausted batteries from the product. Dispose of batteries safely. Do not dispose of this product in a fire. The batteries inside may explode or leak.
- Never short-circuit the battery terminals.
- Use only batteries of the same or equivalent type, as recommended.
- Do not charge non-rechargeable batteries.
- Remove rechargeable batteries from the product before charging.
- If removable, rechargeable batteries are used, they are only to be charged under adult supervision.

Two Fun Ways to Play!



- Slide the switch to ON in Learning Mode **ABC** or ON in Music Mode 🎵.
- When your child is finished playing with this toy, slide the power/mode switch OFF ○.
- Slide the volume switch to low volume (🔊) or high volume (🔊).

ABC Learning Mode

- Tap any of the three shapes. Watch a fun friend pop up and count the numbers! Keep tapping until you count to 10, then hear a song!
- Slide the ruler to learn about shapes and colours.
- Pull the tape measure to hear the A-B-C song.

🎵 Music Mode

- Tap any of the three shapes. A fun friend pops up with silly sound effects or a friendly greeting!
- Slide the ruler to hear three different songs.
- Pull the tape measure to hear a fun learning song.

Care

- Wipe with a clean cloth dampened with a mild soap and water solution.
- Do not immerse the toy.
- This toy has no consumer serviceable parts. Do not take this toy apart.



- Protect the environment by not disposing of this product with household waste (2002/96/EC). Check your local authority for recycling advice and facilities (Europe only).

Consumer Information



Great Britain: Vanwall Business Park, Maidenhead SL6 4UB.

Helpline: 01628 500303.

www.service.mattel.com/uk.

Australia: Mattel Australia Pty. Ltd., 658 Church Street, Locked Bag #870, Richmond, Victoria 3121 Australia.

Consumer Advisory Service 1300 135 312.

New Zealand: 16-18 William Pickering Drive, Albany 1331, Auckland.

Asia: Mattel East Asia Ltd, Room 1106, South Tower, World Finance Centre, Harbour City, Tsimshatsui, HK, China.

Malaysia: Diimport & Diedarkan Oleh: Mattel SEA Ptd Ltd. (993532-P) Lot 13.5, 13th Floor, Menara Lien Hoe, Persiaran Tropicana Golf Country Resort, 47410 PJ. Tel: +603-3341 9052.

Mattel Europa, B.V., Gondel 1, 1186 MJ Amstelveen, Nederland.